

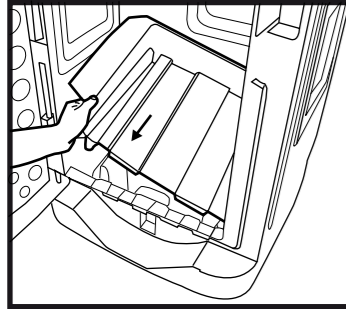
Glasdon Jubilee Bin Range

Operating Manual

Cleaning Your Bin


We would recommend a warm pressure wash with soap or alternatively hand wash with 10% solution of mild detergent in warm water using a soft bristle brush followed by a rinse with clean water.

Cleaning Liner Tray



To aid cleaning, the liner tray can be removed to empty any debris that may have fallen out of the metal liner. Reservoirs in the liner tray can be easily emptied and wiped clean.

NOTE: For Installation and Ashtray Instructions please see separate instruction manuals.

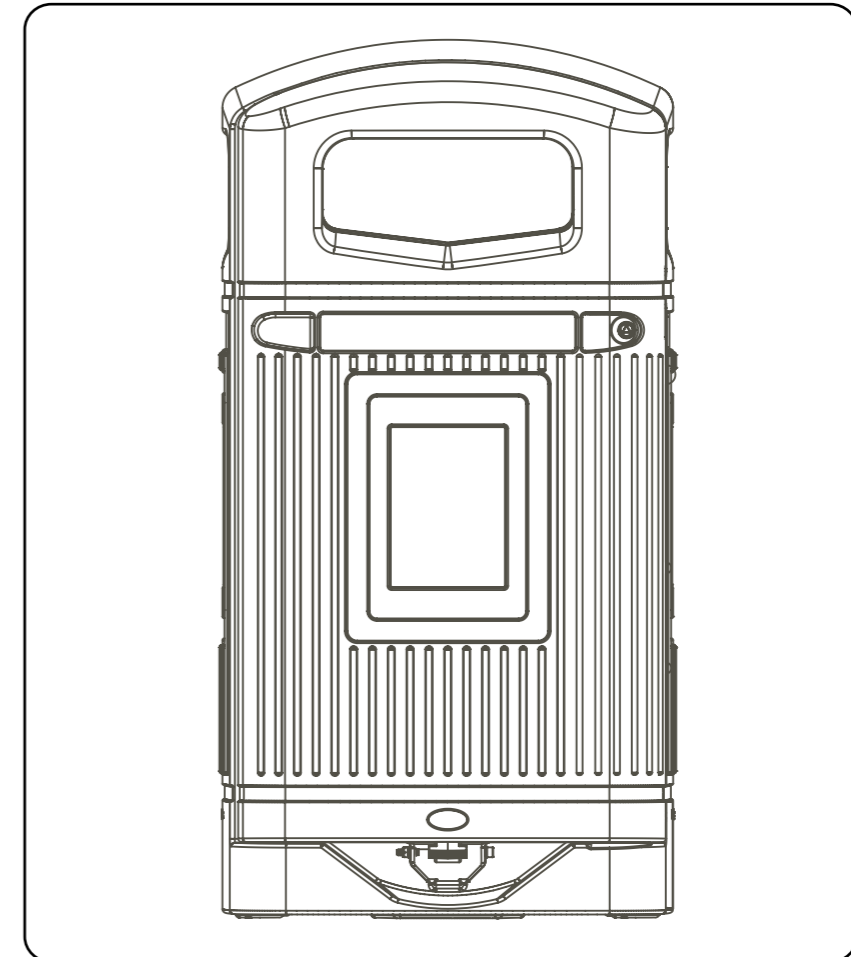
 **Glasdon** GLASDON JUBILEE™ AND STREAMLINE JUBILEE™ ARE TRADEMARKS OF GLASDON GROUP OR ITS SUBSIDIARIES IN THE U.K AND OTHER COUNTRIES

- A planned maintenance schedule of regular inspection is recommended, replacing components as necessary.
- Replacement components are available direct from GLASDON UK LTD.
- GLASDON UK LTD cannot be held responsible for claims arising from incorrect installation, unauthorised modifications or misuse of the product.

Issue 2 November 2010 C000/0345
© Copyright November 2010
Glasdon UK Ltd reserve the right to alter specifications without prior notice.

 **Glasdon**
Glasdon U.K Limited

Preston New Road
BLACKPOOL
Lancashire FY4 4UL
Tel: 01253 600410
Fax: 01253 792558
email: sales@glasdon-uk.co.uk
web: www.glasdon.com



Glasdon Jubilee Bin Range

Operating Manual



IMPORTANT NOTE:
THE BIN MUST BE SITED ON LEVEL GROUND TO ENSURE CORRECT ALIGNMENT OF THE DOOR AND BODY. IF YOU ARE NOT USING GLASDON FIXINGS YOU MUST ENSURE THAT 50MM DIAMETER WASHERS ARE USED IN ORDER TO SECURE THE BIN WHEN GROUND FIXING.

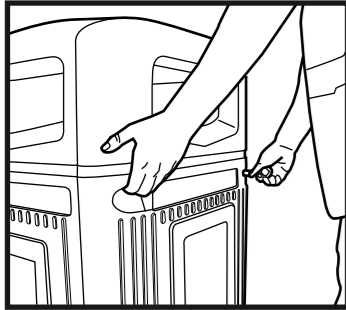


NOTE: ENSURE THAT ALL RELEVANT PERSONNEL READ THE POINTS LISTED WITHIN THIS LEAFLET AND THAT A COPY IS GIVEN TO STAFF INVOLVED WITH THE INSTALLATION AND MAINTENANCE OF THIS PRODUCT

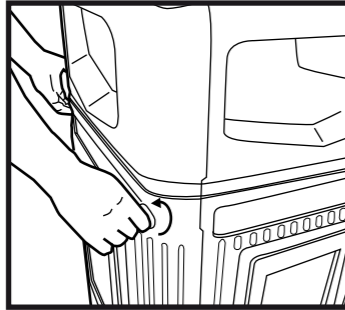
Glasdon Jubilee Bin Range

Operating Manual

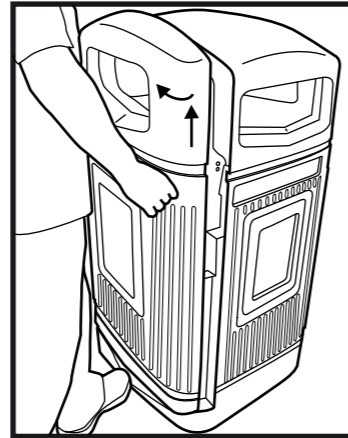
Opening/Closing your Keyed Version



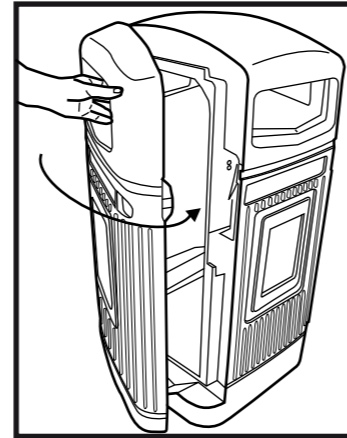
Insert key into key hole and place hand into handle recess as shown.



Turn key anticlockwise until it stops.

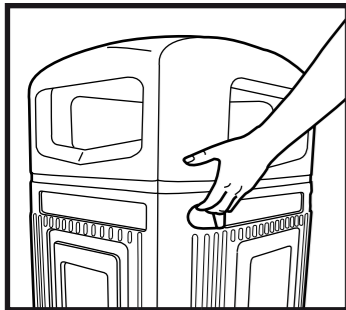


Using handle lift door and allow door to pivot open.



Slam to shut.

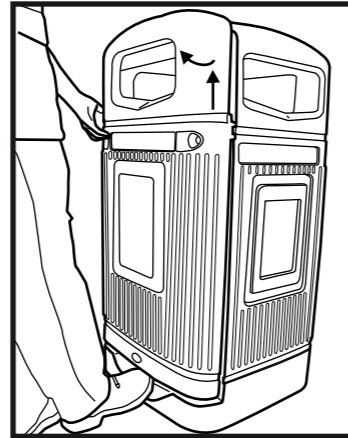
Opening/Closing your Keyless Version



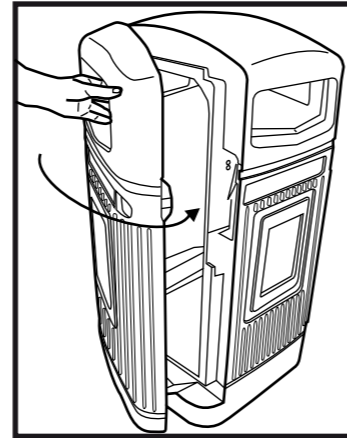
Place hand into handle recess as shown.



Place foot into base recess and push pedal upwards with toe cap to operate foot pedal.

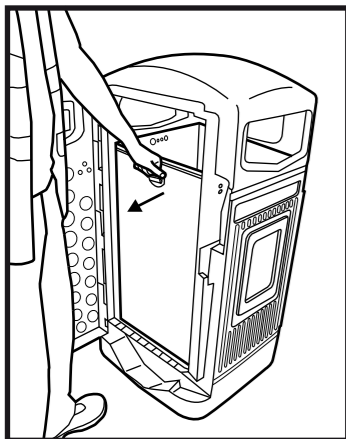


Using handle and foot to assist, lift door and allow door to pivot open.

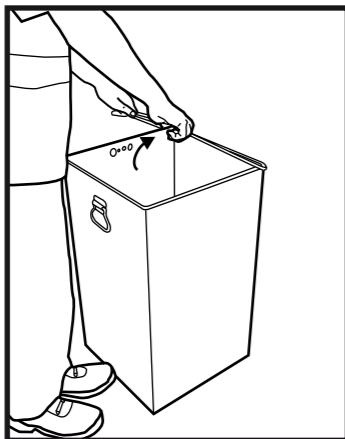


Slam to shut.

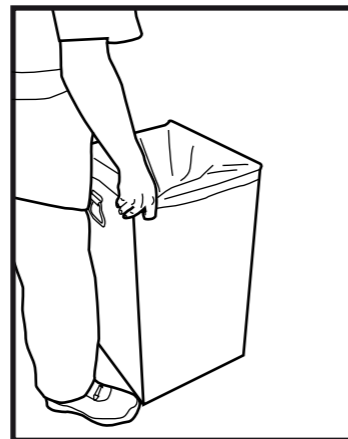
Removing Liner/Using Sack Retention



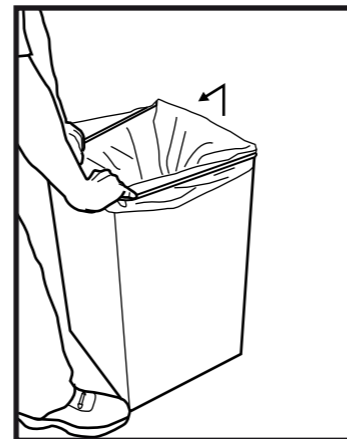
Remove liner by sliding out of bin.



Release elasticated sack band away from body for safety.



Insert plastic sack.



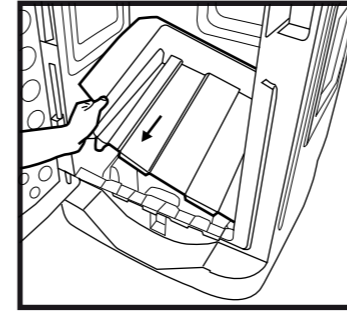
Reposition elasticated sack band to secure plastic sack.

Glasdon Jubilee Bin Range

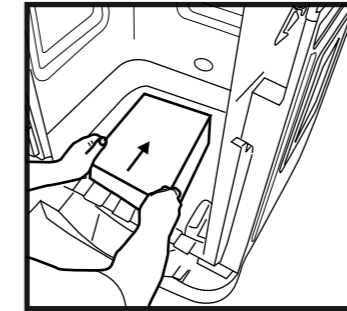
Operating Manual

Inserting/Removing Bait Box

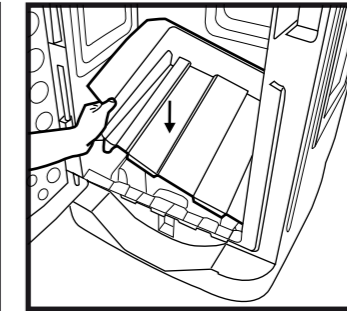
(Glasdon Jubilee Bin - Max. size bait box 400 x 240 x 130mm or 574 x 194 x 130mm)
 (Streamline Jubilee Bin - Max. size bait box 240 x 225 x 130mm or 570 x 75 x 130mm)
 Dependant on orientation of box.



Remove the liner tray by pulling past lugs on bin body.

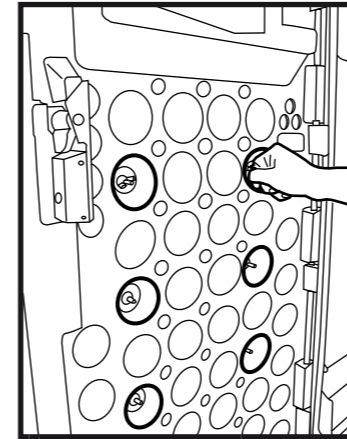


Insert bait box into position with the aperture facing the rear of the bin.

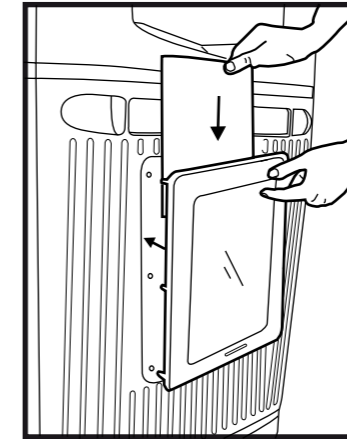


Reposition liner tray by pushing past the lugs so that it snaps into place.

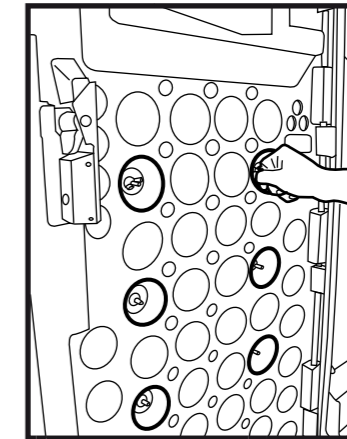
Inserting/Removing Poster (Accepts laminated A4 paper/card with a visible viewing area of 277mm x 191mm)



Remove all six wingnuts and washers from the inside of the bin by unscrewing anticlockwise.

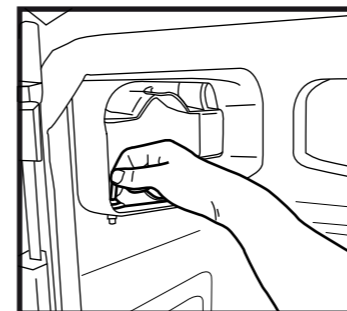


From outside the bin, remove the frame and insert/replace poster behind the clear panel.

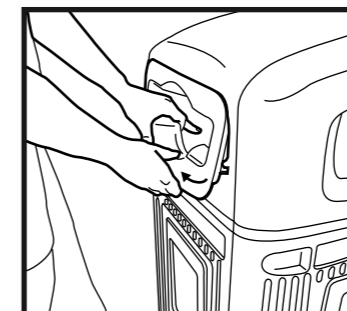


Place frame back into position and tighten wingnuts from inside the bin to secure.
IMPORTANT NOTE: Do not over tighten wingnuts.

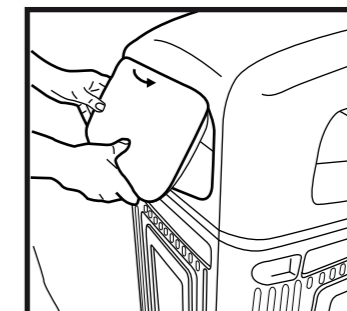
Removing/Replacing Aperture Panels



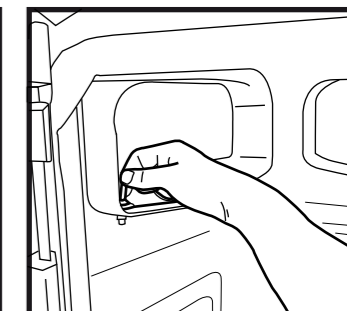
Using an M8 security allen key, unscrew and remove 3 off screws and washers.



From outside the bin, pivot the panel forward from base then pull downwards to remove.



To insert a panel, position top bosses of the panel into holes in the body then push panel into position.



Using an M8 security allen key, replace washers and screws and tighten to secure.